

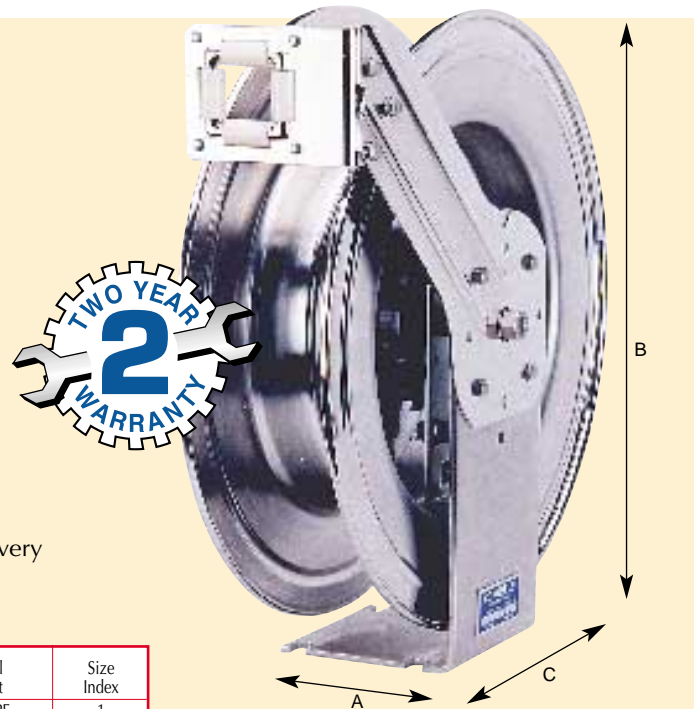
SS STAINLESS STEEL SPRING REWIND REELS

AIR-WATER-STEAM-FOOD INDUSTRY-DIESEL (max 3000psi)

Constructed in heavy gauge 304 stainless steel and other non-corroding materials, Redashe SS hose reels are designed for use in harsh, corrosive environments or where hygiene is of primary importance. They are ideally suited to washdown applications in food processing and chemical manufacturing and should also be specified for offshore and marine applications where salt spray rules out the use of standard steel models.

FEATURES:

- Heavy duty 304 stainless steel construction
- Double supported solid 1" stainless steel axle
- Multi-position roller arm gives full range of mounting options
- Four direction non-sag roller guides reduce hose wear
- 1/4" stainless steel mounting base for maximum stability
- Slotted and drilled mounting holes for easy installation
- Latching of hose at any length
- Fully automatic hose rewind for neat and tidy storage
- Externally mounted full-flow swivel for maximum product delivery
- All working parts fully accessible for servicing



Model Reference	Hose Capacity			Max PSI	Swivel In/Out	Size Index
	I.D.	O.D.	Feet			
SHL-N-350SS	3/8"	5/8"	50	300	3/8" BSPF	1
SHL-N-450SS	1/2"	7/8"	50	300	1/2" BSPF	1
SHL-N-525SS	3/4"	1 1/8"	25	300	3/4" BSPF	1
MPL-N-350SS	3/8"	5/8"	50	3000	3/8" BSPF	1

See price list for hose options available on these reels

Size Index	Reel Dimensions			Appx Weight Less Hose
	A	B	C	
1	9 1/4"	21"	19 3/8"	58 lb